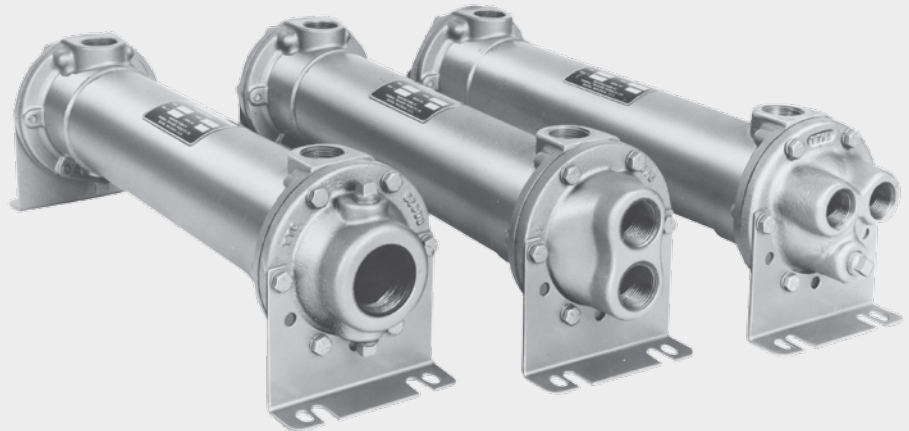


Fluid Cooling Shell & Tube B Series

Features

- **Competitively Priced**
- **1/4" or 3/8" Tubes Standard**
- **Water to Water Applications**
- **Sea Water Applications**
- **90/10 Copper Nickel Cooling Tubes and Bronze End Bonnets for Sea Water Service**
- **NPT, SAE O-Ring, SAE Flange, or BSPP Shell Side Connections Available**
- **End Bonnets Removable for Servicing**
- **Mounting Feet Included (May be Rotated in 90° Increments)**



WATER COOLED B

Ratings

- Maximum Shell Pressure** 250 psi
- Maximum Tube Side Pressure** 150 psi
- Maximum Temperature** 350° F

Materials

- Tubes** Copper Nickel
- Hubs & Tubesheets** Brass
- Shell** Brass
- Baffles** Brass
- End Bonnets** Bronze
- Mounting Brackets** Steel
- Gaskets** Nitrile Rubber/Cellulose Fiber
- Nameplate** Aluminum Foil

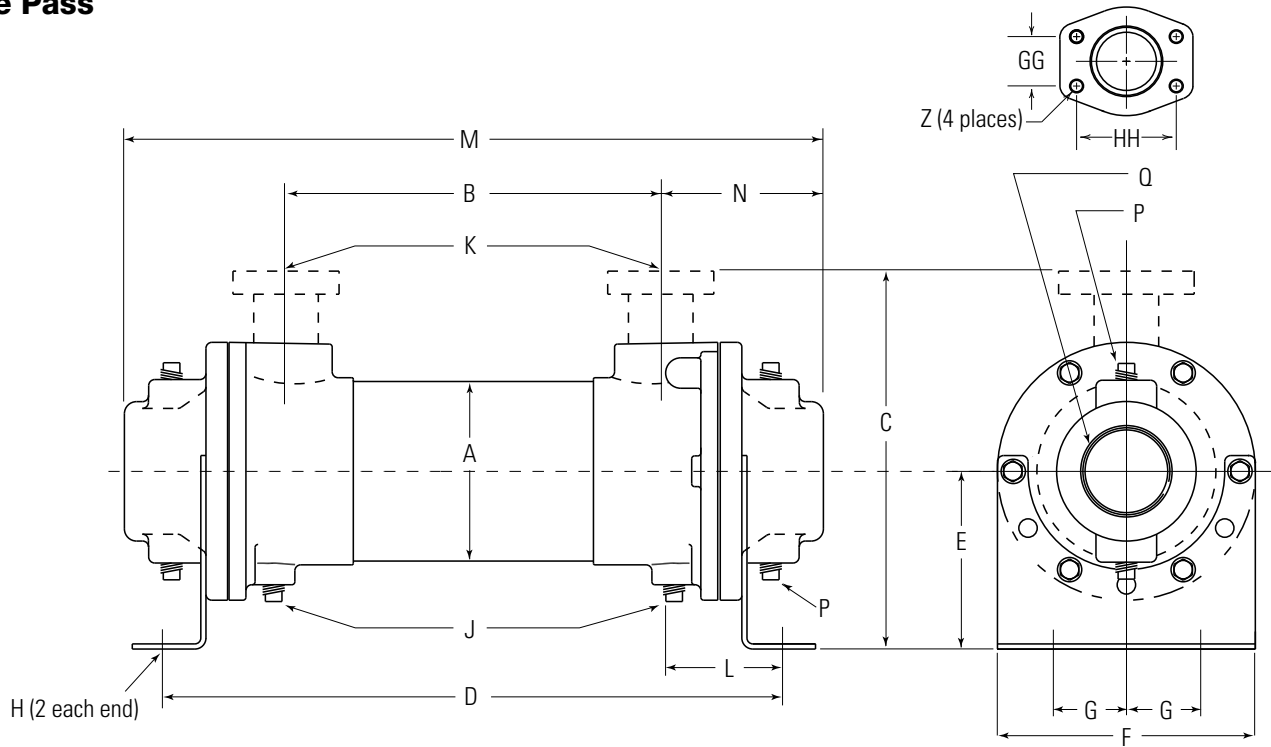
Brass Hub

- B** = NPT Shell Side connections; NPT Tube Side connections
- BS** = SAE O-Ring Shell Side connections; NPT Tube Side connections
- BM** = BSPP Shell Side connections; BSPP Tube Side connections
- BF** = SAE Flange (with UNC threads) Shell Side connections; NPT Tube Side connections
- BFM** = SAE Flange (with Metric threads) Shell Side connections; BSPP Tube Side connections

SAE flanges available on some models. Consult factory for details.

Dimensions

One Pass



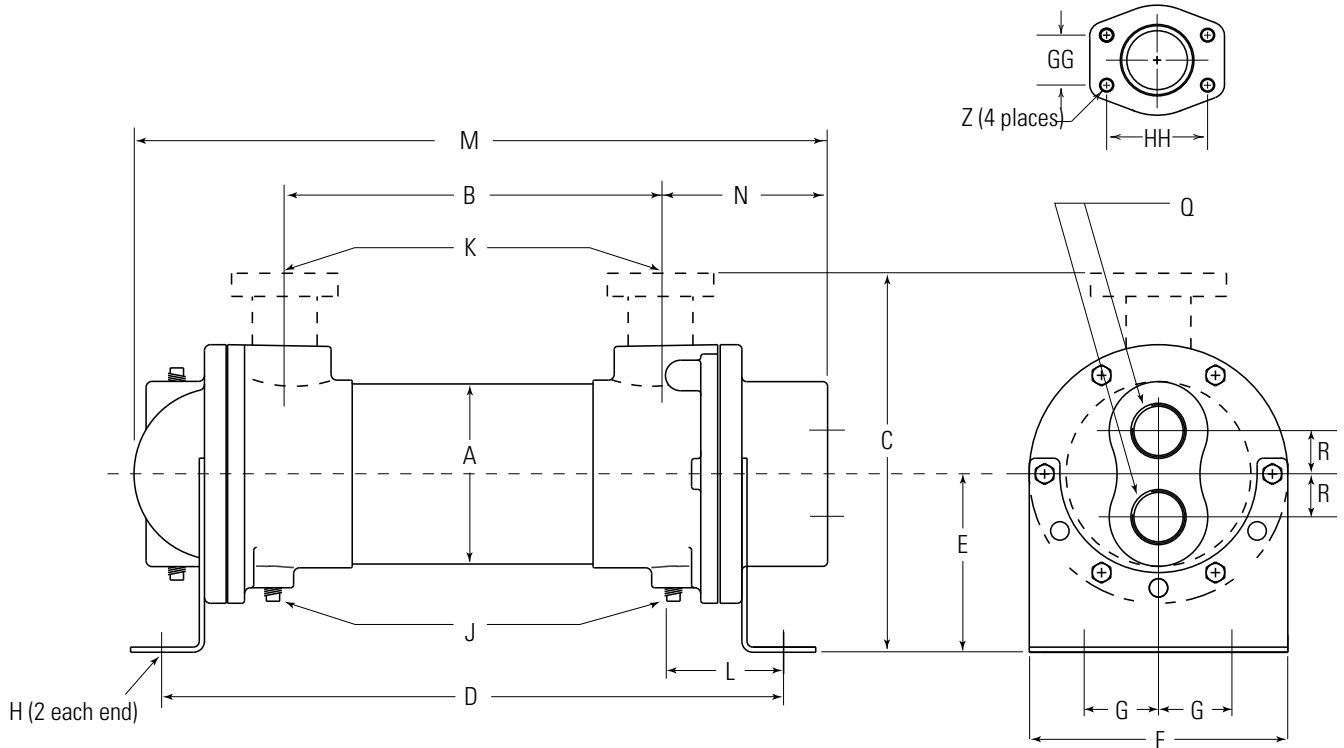
Flange Size	GG	HH	Z - CF	Z - CFM
1	1.03	2.06	3/8-16 UNC	M-10
1.50	1.41	2.75	1/2-13 UNC	M-12
2	1.69	3.06		
3	2.44	4.19	5/8-11 UNC	M-16

MODEL	A	B	C		D	E	F	G	H	J	K		L	M	N	P	Q
			NPT/BSPP SAE O-RING	SAE FLANGE							NPT/BSPP FLANGE	SAE O-RING					
B-401	2.125	7.62	3.50	—	11.01	1.94	2.62	.88	.41 Dia.	—	*.50	#8, 3/4-16 UNF-2B	1.72	11.24	1.81	—	1.00
B-402		16.62			20.01									20.24			
B-701	3.656	7.00	6.25	C/F	12.01	3.62	5.25	1.50	.44 x 1.00	(2) .38	1.00	#16, 1 ³ / ₁₆ -12 UNF-2B	2.69	13.64	3.24	(4) .38	1.50
B-702		16.00			21.01									22.64			
B-703	5.125	25.00	7.38	8.46	30.01	4.00	6.75	2.00	.44 x 1.00	(6) .38	1.50	#24, 1 ⁷ / ₈ -12 UN-2B	3.06	31.64	4.05	(4) .38	2.00
B-1002		15.50			21.71									23.60			
B-1003	6.125	24.50	8.81	10.50	30.71	4.75	7.50	2.50	.44 x .88	(6) .38	2.00	#32, 2 ¹ / ₂ -12 UN-2B	3.44	32.60	4.88	(4) .50	3.00
B-1004		33.50			39.71									41.60			
B-1202	8.00	14.62	12.13	15.61	21.50	6.50	8.62	3.50	.44 x 1.00	(6) .38	3.00	—	4.39	24.38	6.52	(4) .50	4.00
B-1203		23.50			30.38									33.25			
B-1204	8.00	32.38	12.13	15.61	39.25	6.50	8.62	3.50	.44 x 1.00	(6) .38	3.00	—	4.39	42.12	6.52	(4) .50	4.00
B-1205		41.38			48.25									51.12			
B-1206	8.00	50.50	12.13	15.61	57.38	6.50	8.62	3.50	.44 x 1.00	(6) .38	3.00	—	4.39	60.25	6.52	(4) .50	4.00
B-1207		59.50			66.38									69.25			
B-1208	8.00	68.38	12.13	15.61	75.25	6.50	8.62	3.50	.44 x 1.00	(6) .38	3.00	—	4.39	78.12	6.52	(4) .50	4.00
B-1602		13.60			22.38									26.62			
B-1603	8.00	22.60	12.13	15.61	31.38	6.50	8.62	3.50	.44 x 1.00	(6) .38	3.00	—	4.39	35.62	6.52	(4) .50	4.00
B-1604		31.60			40.38									44.62			
B-1605	8.00	40.60	12.13	15.61	49.38	6.50	8.62	3.50	.44 x 1.00	(6) .38	3.00	—	4.39	53.62	6.52	(4) .50	4.00
B-1606		49.60			58.38									62.62			
B-1607	8.00	58.60	12.13	15.61	67.38	6.50	8.62	3.50	.44 x 1.00	(6) .38	3.00	—	4.39	71.62	6.52	(4) .50	4.00
B-1608		67.60			76.38									80.62			
B-1609	8.00	76.60	12.13	15.61	85.38	6.50	8.62	3.50	.44 x 1.00	(6) .38	3.00	—	4.39	89.62	6.52	(4) .50	4.00
B-1610		85.60			94.38									98.62			

B-401 and B-402 SAE Flange not available. NOTE: We reserve the right to make reasonable design changes without notice. Consult factory. All dimensions are inches.

Dimensions

Two Pass



Flange Size	GG	HH	Z - CF	Z - CFM
1	1.03	2.06	3/8-16 UNC	M-10
1.50	1.41	2.75	1/2-13 UNC	M-12
2	1.69	3.06		
3	2.44	4.19	5/8-11 UNC	M-16

MODEL	A	B	C		D	E	F	G	H	J	K		L	M	N	P	Q	R															
			NPT/BSPP SAE O-RING	SAE FLANGE							NPT/BSPP FLANGE	SAE O-RING																					
B-701	3.656	7.00	6.25	C/F	12.01	3.62	5.25	1.50	.44 x 1.00	(2) .38	1.00	#16, 1 ⁵ / ₁₆ -12 UNF-2B	2.69	13.28	3.30	(2) .38	1.00	.88															
B-702		16.00			21.01									22.28																			
B-703		25.00			30.01									31.28																			
B-1002	5.125	15.50	7.38	8.46	21.71	4.00	6.75	2.00			1.50	#24, 1 ⁷ / ₈ -12 UN-2B	3.06	23.29	3.80		1.50	1.19															
B-1003		24.50			30.71									32.29																			
B-1004		33.50			39.71									41.29																			
B-1202		14.62			21.50									23.94																			
B-1203	6.125	23.50	8.81	10.50	30.38	4.75	7.50	2.50	.44 x .88	(6) .38	2.00	#32, 2 ¹ / ₂ -12 UN-2B	3.44	32.81	4.56		2.00	1.44															
B-1204		32.38			39.25									41.69																			
B-1205		41.38			48.25									50.69																			
B-1206		50.50			57.38									59.81																			
B-1207		59.50			66.38									68.81																			
B-1208		68.38			75.25									77.69																			
B-1602		8.00			13.60									12.13					15.61	22.38	6.50	8.62	3.50	.44 x 1.00		3.00	—	4.39	25.10	6.08	(2) .50	2.50	1.88
B-1603					22.60															31.38									34.10				
B-1604	31.60		40.38	43.10																													
B-1605	40.60		49.38	52.10																													
B-1606	49.60		58.38	61.10																													
B-1607	58.60		67.38	70.10																													
B-1608	67.60		76.38	79.10																													
B-1609	76.60		85.38	88.10																													
B-1610	85.60		94.38	97.10																													

NOTE: We reserve the right to make reasonable design changes without notice. Consult factory. All dimensions are inches.